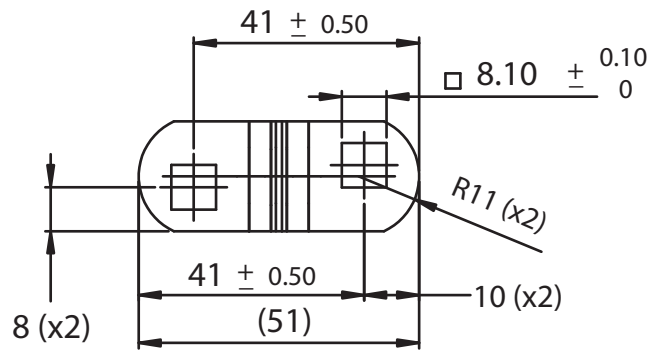
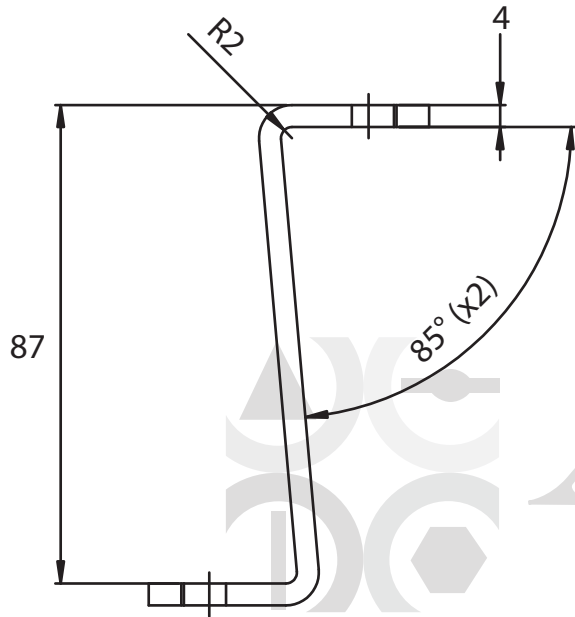


APPROVAL - CUSTOMER NAME & SIGNATURE

DATE



www.ALLEGISCORP.com
1-866-378-7550

MATERIAL / FINISH :
 304 Stainless Steel

REV. :
 1 : 2

DATE :
 2-20-2017

DESCRIPTION :
 Safety Catch

DRAWING NO. :
 23300025